

ADJUSTABLE SHOWER ROD & HOLDER

4T-1020

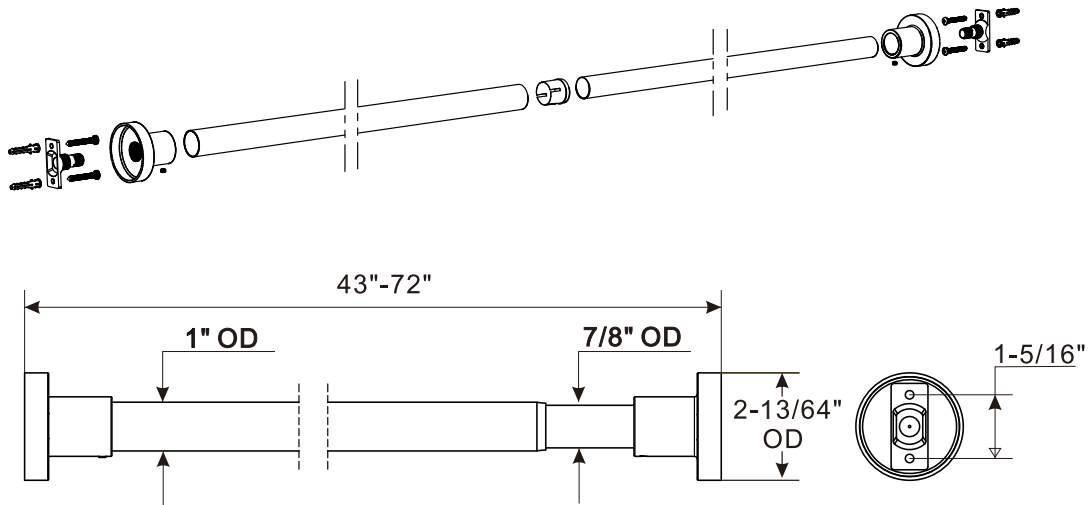


Features

STAINLESS STEEL TWO-PIECE ROD IS ADJUSTABLE FROM 43"-72"
COMES WITH TWO FLANGES AS SHOWN



Specifications



0.024" Thickness