



**QUALITY PLUMBING SPECIALIST**

ORDERS & INQUIRIES:

[customerservice@trimtothetrade.com](mailto:customerservice@trimtothetrade.com)

[trimtothetrade.com](http://trimtothetrade.com)

Office 760-343-3306

Fax 800-562-9998

77551 El Duna Court, Suite J  
Palm Desert, CA 92211

OVAL HANDLE CLOSET SUPPLY SET  
4T-716



Features

INCLUDES

- 1/2" IPS X 1/2" OR 7/16" SJ ANGLE STOP (4T-286)
- 1/2" OD X 20" FLAT HEAD RIGID SUPPLY TUBE (4T-2781D)
- 1/2" X 4" NIPPLE (4T-405N)
- 1/2" IPS SURE GRIP FLANGE (4T-284)



OVAL HANDLE 1/2" IPS SLIP JOINT ANGLE STOP  
4T-286

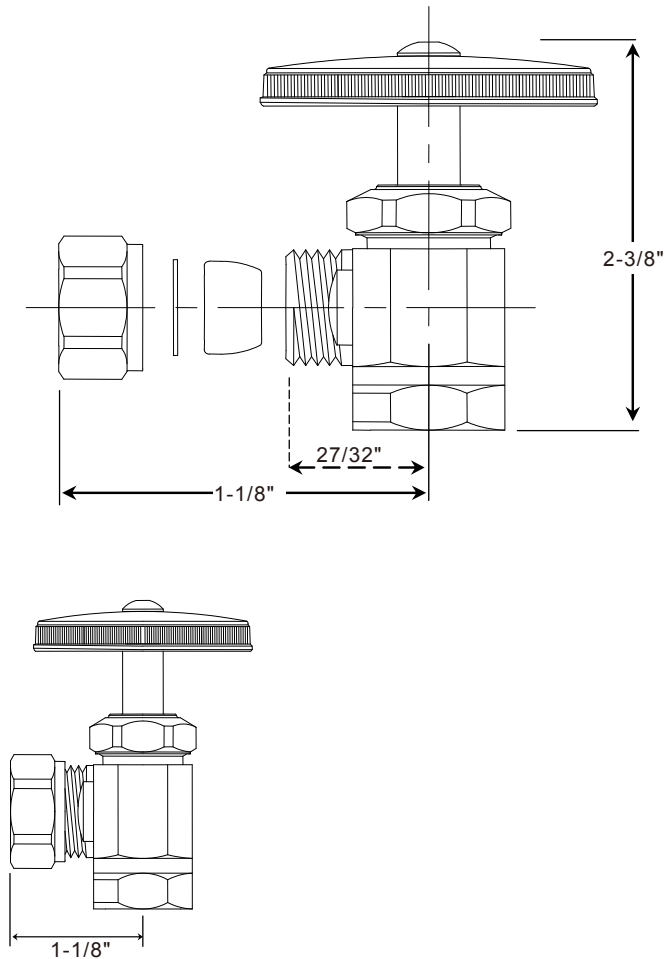


Features

1/2" IPS X 1/2" OR 7/16" SJ ANGLE STOP (4T-286)



Specifications



1/2" IPS LOW PATTERN SURE GRIP FLANGE  
4T-284

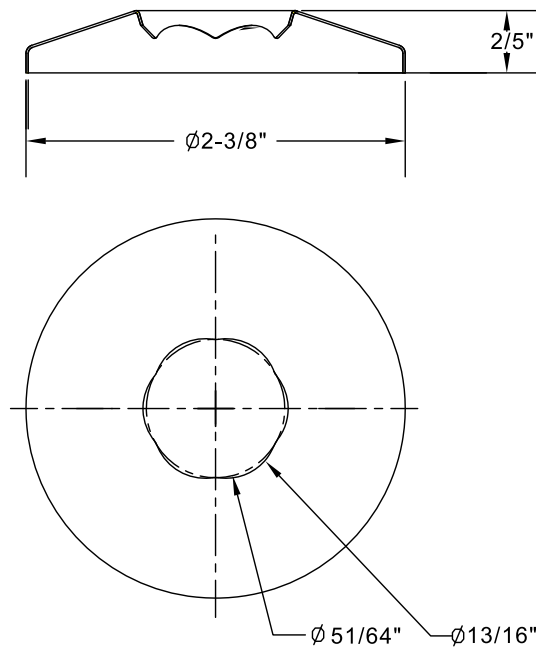


Features

ALL PIPES MEET NON-LEADED (NL)  
REQUIREMENTS AS MANDATED BY THE EPA  
(ENVIRONMENTAL PROTECTION AGENCY)



Specifications



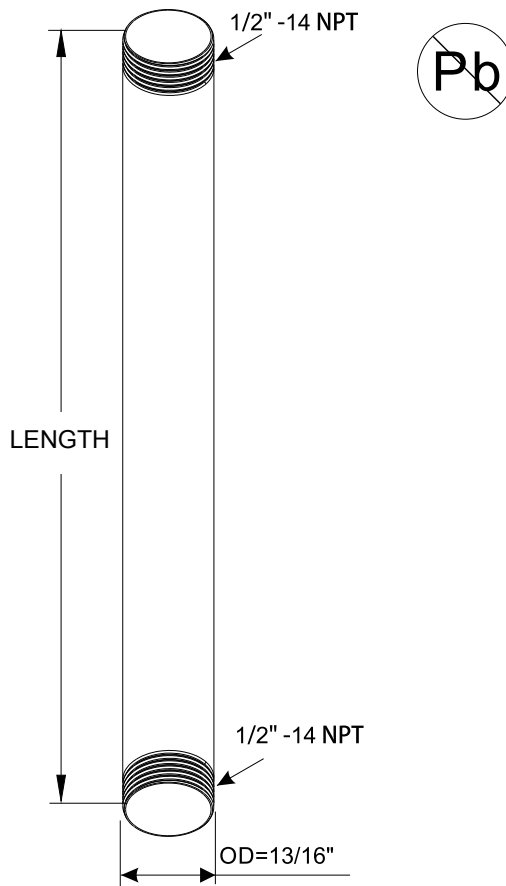
1/2" IPS X 4" NIPPLES  
4T-405N



Features

ALL PIPES MEET NON-LEADED (NL)  
REQUIREMENTS AS MANDATED BY THE EPA  
(ENVIRONMENTAL PROTECTION AGENCY)

Specifications



1/2" OD X 20" FLAT HEAD RIGID SUPPLY TUBE  
4T-2781D



Features  
FOR TOILET APPLICATIONS  
SOLD EACH

Specifications

