



**QUALITY PLUMBING SPECIALIST**

ORDERS & INQUIRIES:

[customerservice@trimtothetrade.com](mailto:customerservice@trimtothetrade.com)

[trimtothetrade.com](http://trimtothetrade.com)

Office 760-343-3306

Fax 800-562-9998

77551 El Duna Court, Suite J  
Palm Desert, CA 92211

CHURCH OF LATTER DAY SAINTS  
BAPTISMAL FONT DRAIN PACKAGE

4T-6420



4T-055



4T-020

4T-004 & 4T-064

#### Features

- RING NOT EXPOSED IN THIS INSTALLATION
- AVAILABLE IN POLISHED CHROME ONLY
- ALL TOLERANCES EXCEPT OTHERWISE NOTED  $\pm 1/32$ " FOR FRACTIONS  $\pm .005$ " FOR DECIMALS.
- BODY MAY BE BRASS OR CAST IRON. WALL THICKNESS 1/4" MIN. EXCEPT WHERE OTHERWISE NOTED.
- TAPERS FILLETS TO FACILITATE NORMAL MANUFACTURING PROCESSES ARE ALLOWED.
- STRAINERS TO BE STAINLESS STEEL, BRASS OR PLATED BRASS; SNAP OR SCREW FASTENED. EFFECTIVE AREA OF OPENINGS TO EQUAL FLOW AREA OF 2" PIPE. THE SHAPE OF THE OPENINGS IS OPTIONAL. STRAINER TO BE FLUSH WITH TOP OF DRAIN.
- A 24 GAUGE CORROSION RESISTANT CROWN OR COLLAR OR A 1/4" BRASS RING IS REQUIRED. UNDER THE STRAINER ON CAST IRON BODIES.

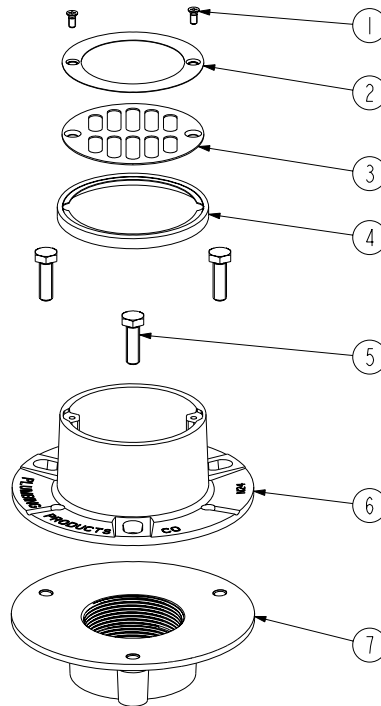
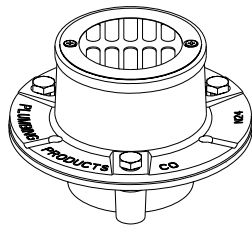
# 2" IPS EZ TEST CAST IRON SHOWER DRAIN 4T-004



## Features



## Specifications



# ROMAN TUB DRAIN, TOP ONLY

4T-055

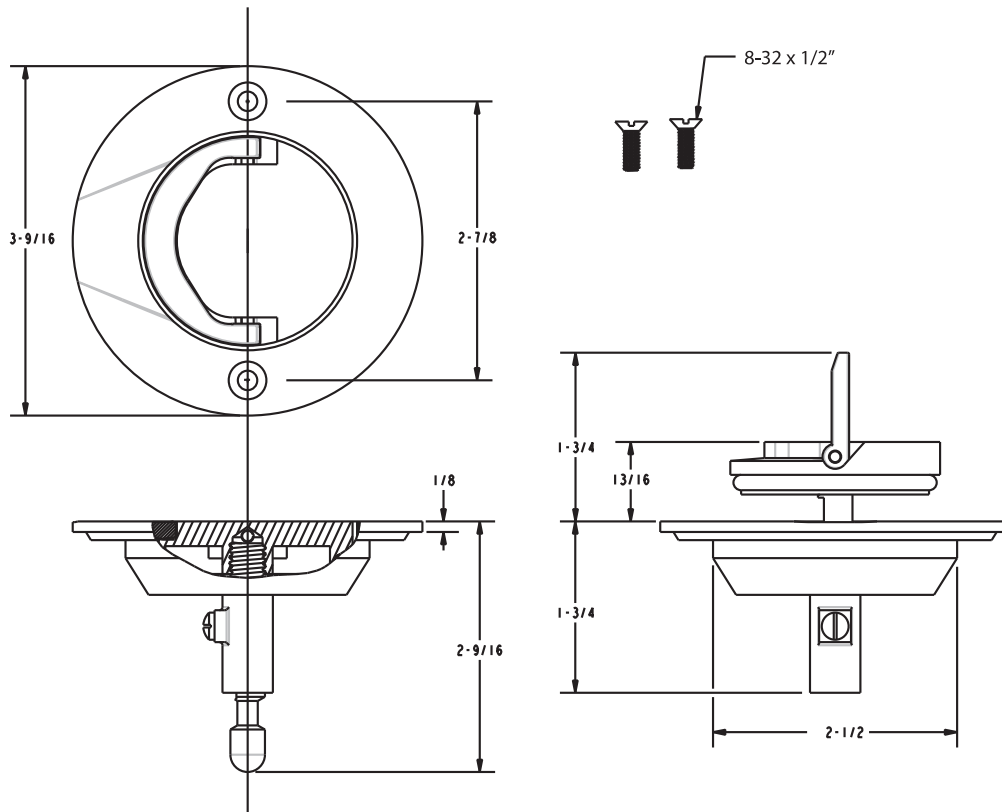


## Features

CHROME PLATED. INCLUDES "O" RING (70R) AND TWO SCREWS.



## Specifications



# 2" IPS EZ Test Cast Iron Roman Tub Drain

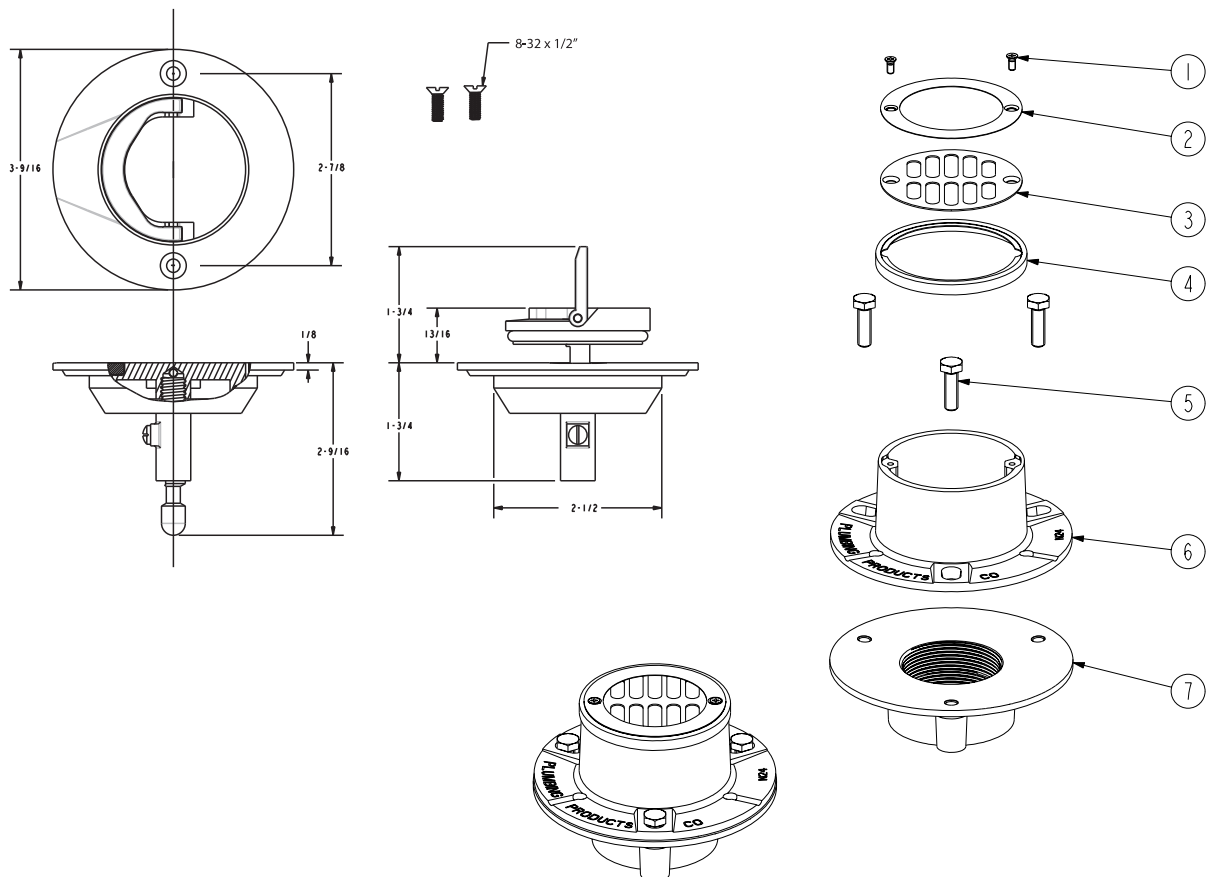
4T-064



## Features



## Specifications



1-1/2" IPS CAST IRON PROTECTION DRAIN  
4T-020



Features

- INCLUDES GRILL (4T-031)
- CROWN (4T-032)
- SCREWS (4T-033)
- FITS PLUMBING PRODUCTS, PASCO AND AMERICAN BRASS & ALUMINUM DRAINS
- GRILL IS 3-3/8" OD DIAMETER
- SCREW HOLES ARE 2-7/8" CENTER-TO-CENTER



Specifications

